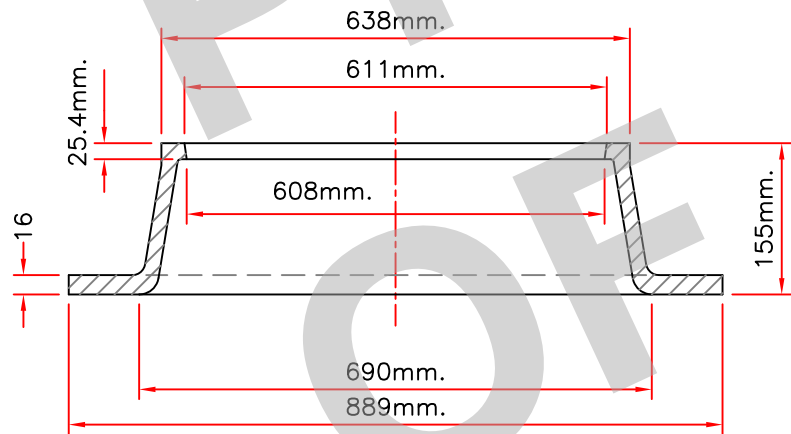
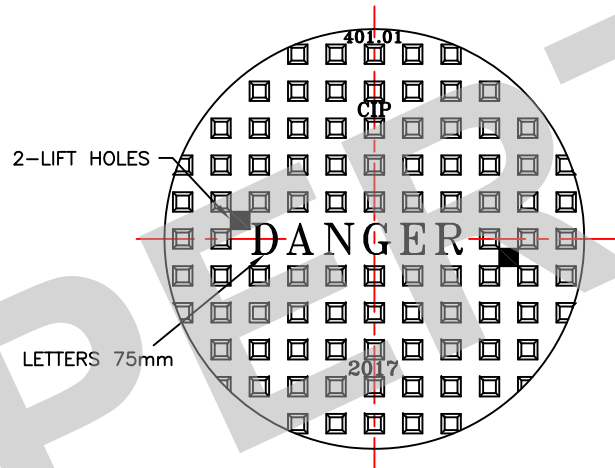


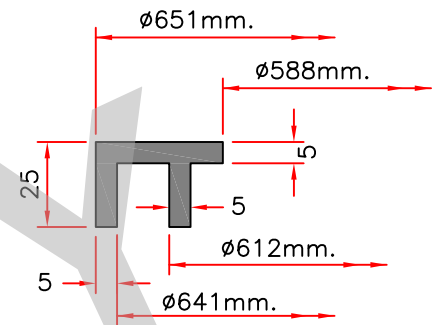
BOTTOM FRAME



SECTION-XX.



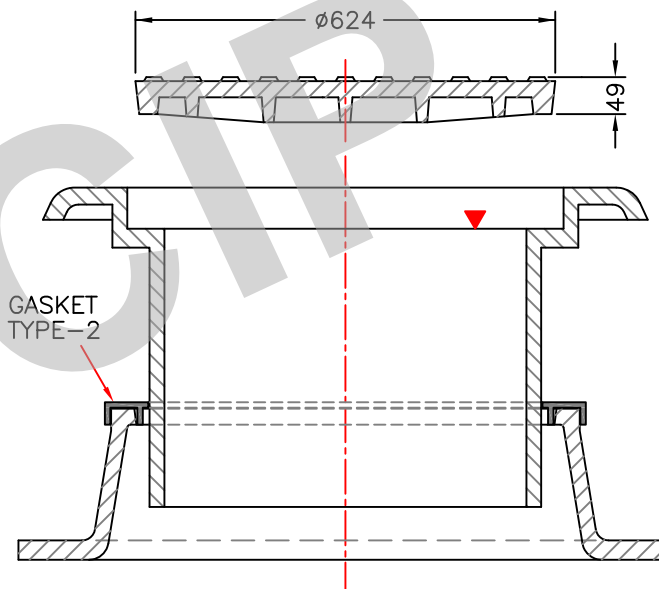
PLAN (Cover type-'A')



GASKET-2 DETAILS

NOTES:-

1. DIMENSION - ALL ARE IN M.M.
2. FINISH - COATING WILL BE BLACK BITUMINOUS PAINT.
3. MARKING - CAN BE PROVIDED AS PER REQUIREMENT.
4. MACHINING - ALL BEARING SURFACES SHALL BE MACHINED.
5. MATERIAL - ISO 1083-500/7.
6. WEIGHT - - KG.



ASSEMBLY SECTION

R#	REVISION-	DATE	R.BY	APR
CEDAR INFRASTRUCTURE PRODUCTS LP				
330 RODINEA ROAD, MAPLE, ONTARIO, L6A4P5, CANADA				
TITLE-				
ADJUSTABLE MANHOLE				
FRAME & COVER				
DRAWN BY :- P.BHOWMIK		DATE:- 13.10.17		
CHECK BY:- BNA		PAT. NO.		
APPROVED BY:- BNA		D2333GSKT-2		